

## PRT 02/03/06

Air pressure transducers  
105 to 250 kPa

### Description

The PRT 02/03/06 series devices are high-accuracy and reliability analogue absolute pressure sensors.

### Main Features

- Active devices are housed in hermetically sealed plastic protective casing
- Splash resistant to standard motorsport fluids
- Thermal compensation and noise reduction circuitry

### Benefits

- Low cost

### Typical Application

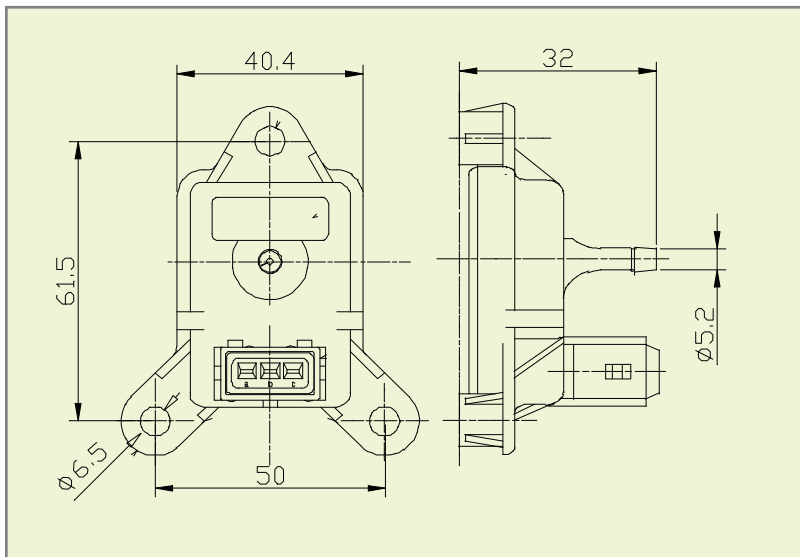
Manifold pressure measure



# PRT 02/03/06

Air pressure transducers  
105 to 250 kPa

## Dimensions

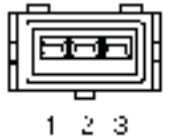


## Technical Characteristics

Power supply ( $\pm 0.5$ V).....	5	V
Null offset (5 V).....	0.25	V
Full scale output (5 V).....	4.75	V
Output impedance.....	less than 10	$\Omega$
Pressure ranges		
PRT 02 .....	200	kPa
PRT 03 .....	105	kPa
PRT 06 .....	250	kPa
Operating temperature range.....	-40 to 125	$^{\circ}\text{C}$
Response time .....	less than 7	ms
Accuracy (including non-linearity, hysteresis and repeatability).....	1	% f.s.o
Overpressure .....	200	%
Weight.....	30	g

## Connector Pin Out

PIN	Description
1	+ 5Vdc
2	GN
3	Signal



For further information, please contact:



JMR Motorsport s.c - Carrer E N°7 - Pol- Ind.  
Pont Xetmar - Cornellà del Terri - GIRONA-  
Tlf. +34 972 59 52 34 email: info@jmr-motorsport.com

October 2007  
rel. 05  
page 2 of 2