

RPT350-PS

350° Rotary position transducer
push shaft

Description

The RPT350-PS, with a measurement range of 350 degree, is a rotary position transducer designed for racing and automotive applications.

Black glass filled nylon case and stainless steel shaft with Raychem FDR type 55 - AWG22 cable.

Resistant to high temperature, fire, chemical, RPT350-PS is particularly suited in the harsh automotive environment.

The user can adjust the cable length (max 1 m) for his application and this can be done contacting the company.

A RPT version with round shaft (RTP350-RS) is available.



Main Features

- Resistant to high temperatures, fire and chemical
- Cable length to customer requirement
- Shaft in stainless steel
- Case in black glass filled nylon
- High strength and durability

Benefits

- Wide application range
- Lightweight design
- High reliability
- Designed for rugged applications

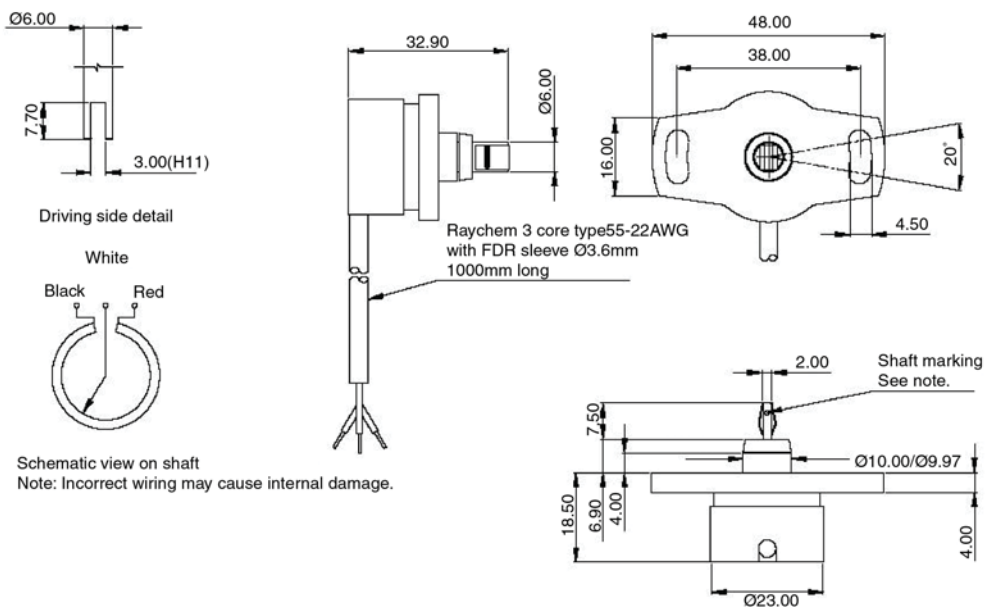
Typical Applications

Angle position measurement (throttle position, gear position, etc.)

RPT350-PS

350° Rotary position transducer
push shaft

Dimensions



Note: When shaft marking is facing cable exit, instrument is mid-travel.

Dimensions in millimetres

Technical Characteristics

Electrical angle.....	350°
Nominal resistance (± 20 %).....	5 kΩ
Max applied voltage.....	42 V
Max wiper current	1 mA
Independent linearity.....	± 0.3 % f.s.
Operating temperature range.....	-55 to 125 °C
Insulation resistance @ 500 Vdc.....	> 100 MΩ
Mechanical travel (continuous).....	360°
Protection class.....	IP 65
Weight (approx.)	38 g

Connector Pin Out

Wire colour table	
Red	Supply voltage
Black	GND
White	Signal

For further information, please contact:



JMR Motorsport s.c - Carrer E Nº.7 - Pol- Ind.
Pont Xetmar - Cornellà del Terri - GIRONA-
Tlf. +34 972 59 52 34 email: info@jmr-motorsport.com

October 2007
rel. 02
page 2 of 2