

RPT98

98° Rotary position transducer

Description

High precision rotary throttle potentiometer.

Main Features

- Reinforced plastic housing
- Slots for adjustable position
- DR25 jacket and military connectors available with cable length to customer requirements
- Available with two connector types (see Connector Pin Out)

Benefits

- Raw parts available in stock
- High precision

Typical Applications

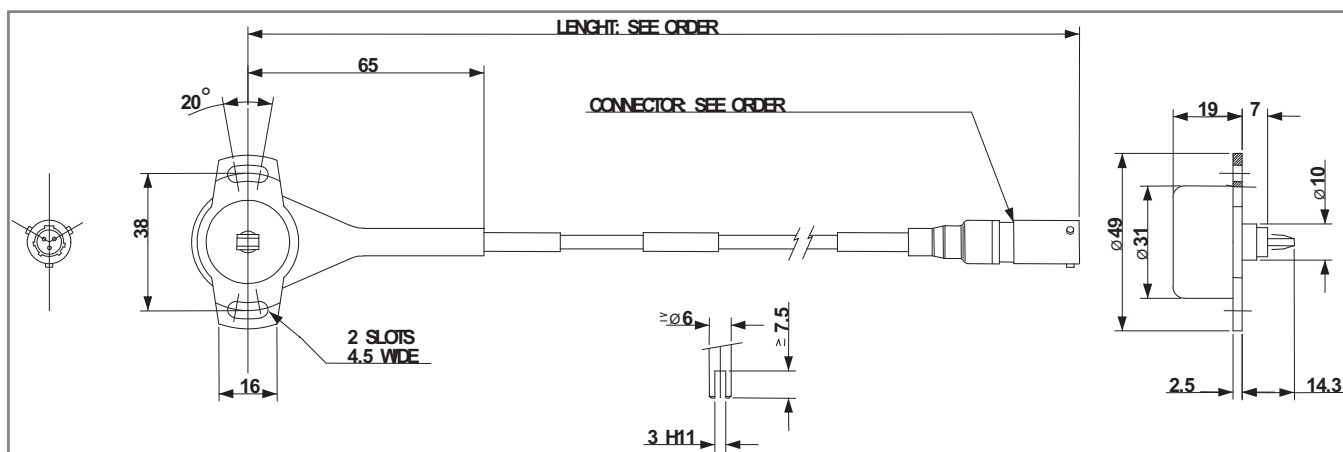
Throttle position sensing in racing engines



RPT98

98° Rotary position transducer

Dimensions



Dimensions in millimetres

Technical Characteristics

Typical application Throttle position
 Operating temperature
 potentiometer..... -40 to 150 °C
 connector..... -10 to 125 °C
 Resistance 3 kΩ
 Linearity (typ.) ± 0.5 % f.s.
 Electrical angle..... 98°
 Weight..... 70 g

Connector Pin Out

PIN	SJT 00 RT 8-98 P	KPSE-6E8-33P-DN
A	+ 5V	+ 5V
B	Signal	GND
C	GND	Signal

For further information, please contact: