

W1051

100° Contactless rotary position transducer

Description

Contactless counterclockwise rotary position sensor.

Main Features

- Contactless technology
- Low weight sensor
- High temperature range

Benefits

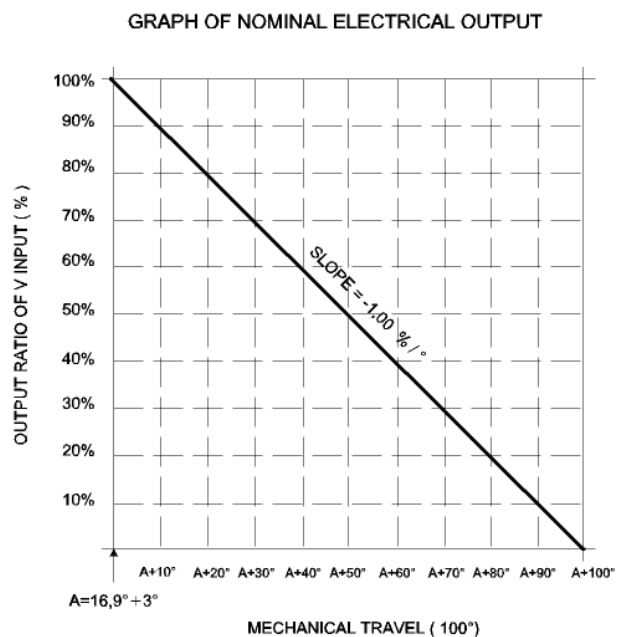
- No contact wear
- High precision

Typical Applications

Throttle, pedal, clutch position sensing in racing engines and vehicle



Typical Performance



W1051

100° Contactless rotary position transducer

Technical Characteristics

Typical application Throttle and pedal position

Power supply

normal working range $5 \pm 10 \% V$

reverse voltage protection $-14.5 V$

Operating temperature

functional -40 to $150 \text{ } ^\circ\text{C}$

Spring return torque

minimum return..... $20-50 \text{ mN}\cdot\text{m}$

maximum wind up..... $160 \text{ mN}\cdot\text{m}$

Vibration range tested (60 Hz to 1500 Hz) 15 g

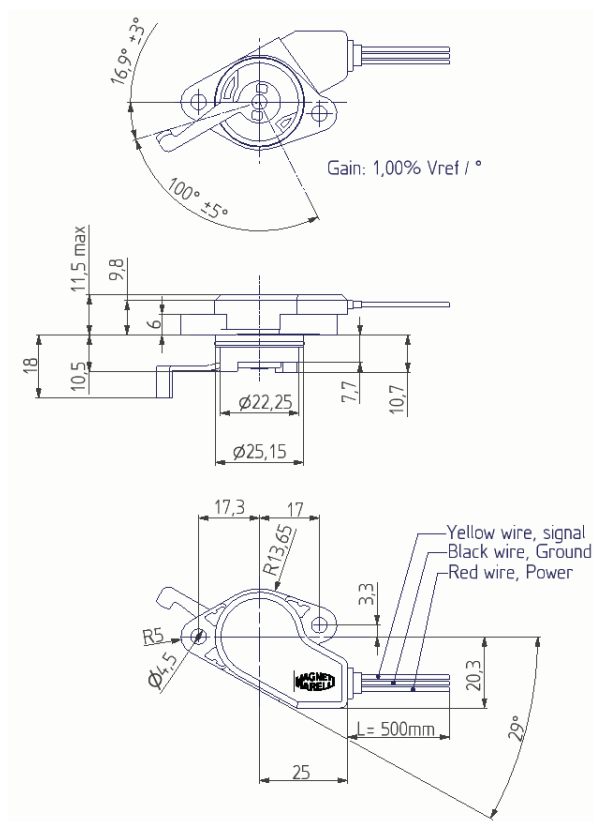
Protection class..... IP 67

Linearity (typ.) $\pm 1.5 \% \text{ f.s.}$

Electrical angle..... 100°

Weight..... 40 g

Dimensions



Dimensions in millimetres

For further information, please contact: