

## XKP1290 CONNECTOR

1 MPa pressure sensor

### Description

---

Gauge amplified pressure sensor.

Particularly suited for use in the harsh automotive environment.

The kit includes a mating part connector.

### Main Features

---

- Compatible with most fluids in automotive environment
- Fast response time

### Benefits

---

- Small size
- High output
- High reliability



### Typical Applications

---

Oil pressure

Fuel pressure

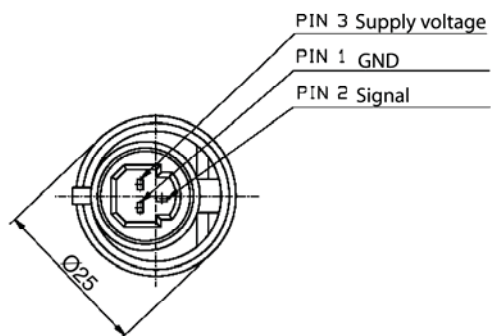
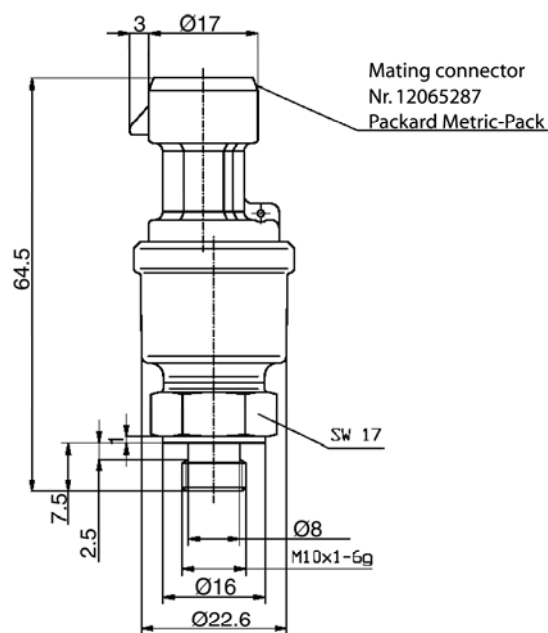
# XKP1290 CONNECTOR

1 MPa pressure sensor

## Technical Characteristics

Power supply .....	5	V
Supply current.....	< 15	mA
Null offset.....	0.5	V
Full scale output (@ Nominal Pressure).....	4.5	V
Nominal pressure.....	1	MPa
Operating temperature range.....	-40 to 140	°C
Response time.....	< 2	ms
Accuracy (f.s.o. and Null offset)		
@ -40 °C to 0 °C.....	max. ± 3	% f.s.o.
@ 0 °C to 90 °C.....	max. ± 1.5	% f.s.o.
@ 90 °C to 125 °C.....	max. ± 3	% f.s.o.
Burst Pressure .....	3 x Nominal Pressure	
Vibrations range tested		
@ 147 Hz to 1000 Hz.....	30	g
@ 1000 Hz to 2000 Hz.....	20	g
Protection class.....	IP 67	
Weight (approx.) .....	47	g

## Dimensions



Dimensions in millimetres

For further information, please contact:



JMR Motorsport s.c - Carrer E Nº.7 - Pol- Ind.  
 Pont Xetmar - Cornellà del Terri - GIRONA-  
 Tlf. +34 972 59 52 34 email: info@jmr-motorsport.com

November 2007  
 rel. 03  
 page 2 of 2