

PS1

1 MPa pressure sensor

Description

Gauge amplified pressure sensor.

Particularly suited for use in the harsh automotive environment.

The kit includes a mating part connector.

Main Features

- *Compatible with most fluids in automotive environment*
- *Fast response time*

Benefits

- *Small size*
- *High output*
- *High reliability*

Typical Applications

Oil pressure
Fuel pressure



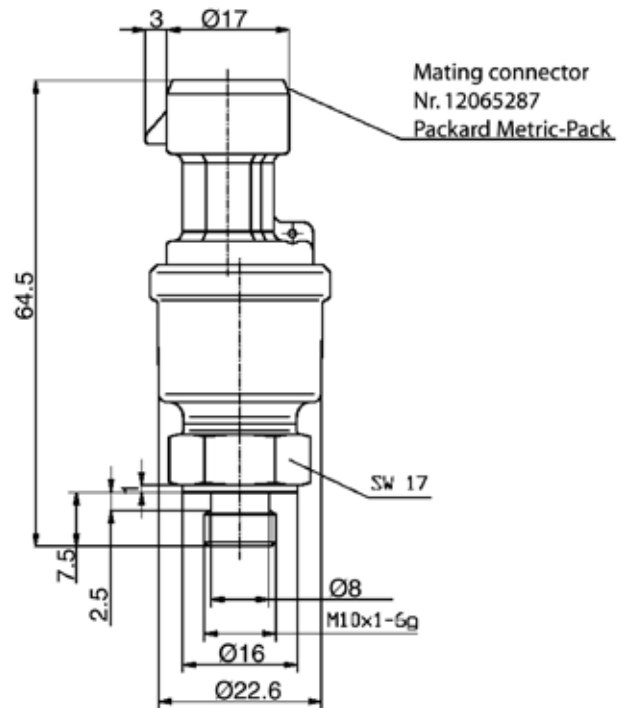
PS1

1 MPa pressure sensor

Technical Characteristics

Power supply	5 V
Supply current	< 15 mA
Null offset	0.5 V
Full scale output (@ Nominal Pressure)	4.5 V
Nominal pressure	1 MPa
Operating temperature range	- 40 to 140 °C
Response time	< 2 ms
Accuracy (f.s.o. and Null offset)	
@ - 40 °C to 0 °C	max. ± 3 % f.s.o.
@ 0 °C to 90 °C	max. ± 1.5 % f.s.o.
@ 90 °C to 125 °C	max. ± 3 % f.s.o.
Burst Pressure	3 x Nominal Pressure
Vibrations range tested	
@ 147 Hz to 1000 Hz	30 g
@ 1000 Hz to 2000 Hz	20 g
Protection class	IP 67
Weight (approx.)	47 g

Dimensions



Dimensions in millimetres