

PSA05

0,5 MPa pressure sensor
High Accuracy

Description

Ratiometric absolute pressure sensor.

Particularly suited for use in the harsh automotive environment.

The kit includes a mating part connector.

Main Features

- *Fast response time*
- *Available with cable (length 346mm)*
Connector type: ASU-603-03-PN.
Product Number: 83813433800

Benefits

- *Small size*
- *High output*
- *High reliability*

Typical Applications

Manifold pressure in turbocharged engines



PSA05

0,5 MPa pressure sensor
High Accuracy

Technical Characteristics

Supply Voltage	5±0,25 V
Current consumption	< = 16 mA
Null offset	0.5 V
Type of output signal	Ratiometric
Full scale output (@ Nominal Pressure)	4.5 V
Nominal pressure (absolut)	0,5 MPa
Operating temperature range	- 40 to 125 °C
Response time (10% to 90% span)	1,5 ms
Total accuracy	
@ - 40 °C to - 20 °C	max. ± 3,0 % f.s.o.
@ - 20 °C to 0 °C	max. ± 2,0 % f.s.o.
@ 0 °C to 90 °C	**max. ± 0,5 % f.s.o.
@ 90 °C to 125 °C	max. ± 2,0 % f.s.o.
Burst Pressure	3 x Nominal Pressure
Vibrations range tested (EN 60068 – 2 - 64)	
@ 20 Hz to 2000 Hz	10 g rms
Protection class (EN 60529)	up to IP 69K
Weight (approx.)	50 g

**Tolerance precision must be considered as initial value.
Tolerance increases at a rate of 1% per annum.

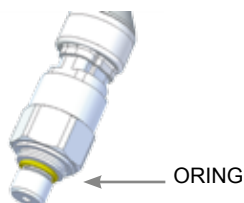
Notes

Installation torque max 15 Nm

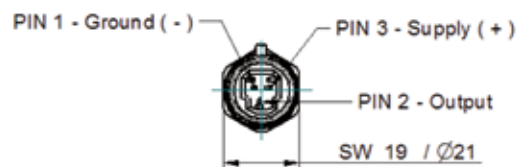
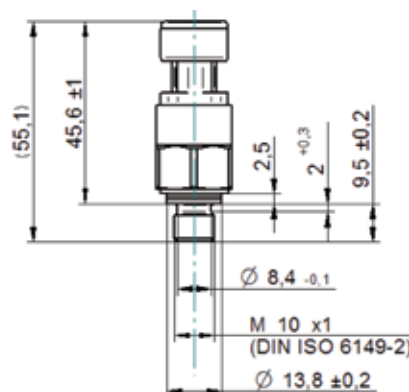
This value depends from the strenght class of the material with which the sensor is coupled.

It is recommended to use a Oring 8,1x1,6 FKM.

Oring not included.



Dimensions



Electrical Connections
Packard Metric Pack Serie 150

Dimensions in millimetres