

## Glycerine filled manometers



Oil filled to stabilize pointer when pulsations or vibration exists. All MBA pressure gauges are equipped with a fluid restrictor in order to avoid sudden pressure rises.

Specially indicated for outdoors installations due to the stainless steel weatherproof case.

### Technical data:

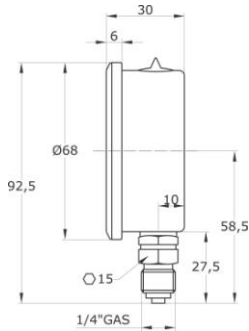
<b>Nominal size:</b>	63 mm. / 80 mm. / 100 mm. / 160 mm.
<b>Case:</b>	Stainless steel AISI 304. Riveted rim for Ø 63 and 100 mm. Bayonet bezel for Ø 160 mm., Protection degree IP65.
<b>Wetted parts:</b>	Bourdon tube in Zinnbronze/CuSn8 alloy, brass connection port.
<b>Movement:</b>	Brass.
<b>Dial:</b>	Aluminium, white. Black figures.
<b>Pointer:</b>	Aluminium, black.
<b>Window:</b>	Acrylic. (glass upon request).
<b>Process conn.:</b>	1/4" (BSP or NPT) for 63 mm., 1/2" (BSP or NPT) for 100 and 160 mm
<b>Accuracy:</b>	±1,6% f.s. for Ø 63 and 100 mm.(upon request ±1,0% f.s. for Ø 100 available) according to EN 837-1. ±1,0% f.s. for Ø 160 mm.
<b>Temp. service:</b>	-5°C...+65°C.

### Ranges in bar

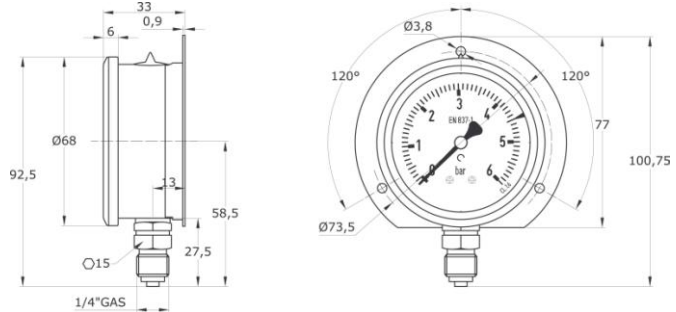
0...0,6	0...1	0...1,6	0...2,5	0...4
0...6	0...10	0...16	0...25	0...40
0...60	0...100	0...160	0...250	0...400
0...600	0...1000	-1...0	-1+1,5	-1+3
-1+5	-1+9	-1+15	-1+24	

## Dimensions MBA DN63 in mm

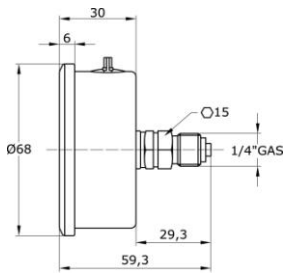
Direct mounting ("D" type)



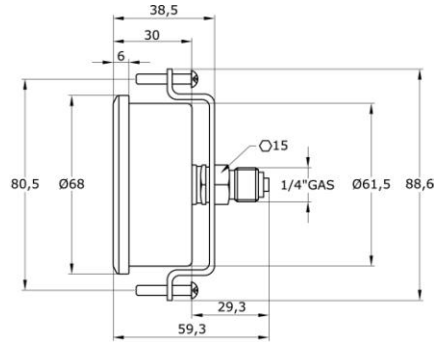
Back flange for wall mounting ("A" type)



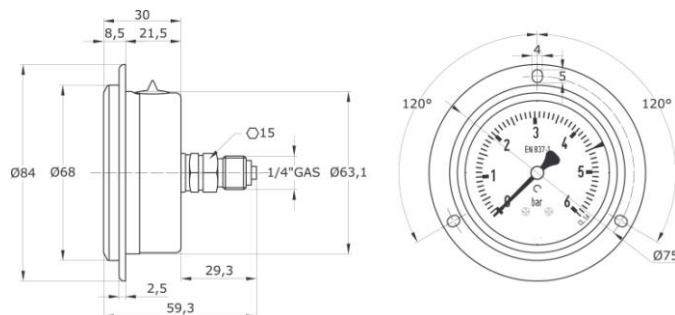
Back mounting ("F" type)



Mounting bracket for flush mounting ("J" type)



Front flange for flush mounting ("B" type)

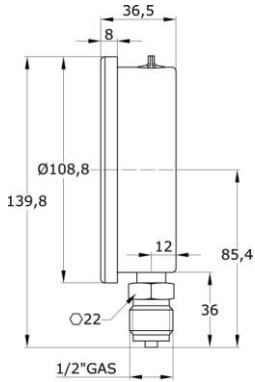


## Weight in kg

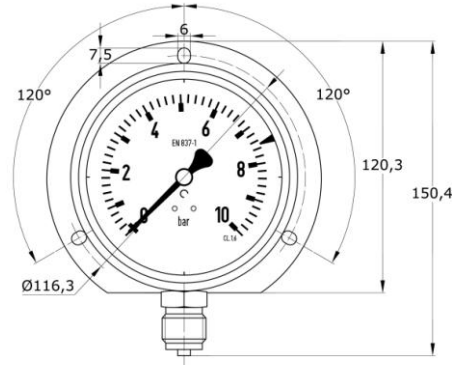
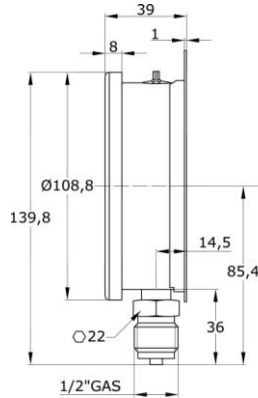
Type	MBA 63 "D"	MBA 63 "A"	MBA 63 "F"	MBA 63 "J"	MBA 63 "B"
Weight	0,190	0,216	0,192	0,222	0,212

## Dimensions MBA DN100 in mm

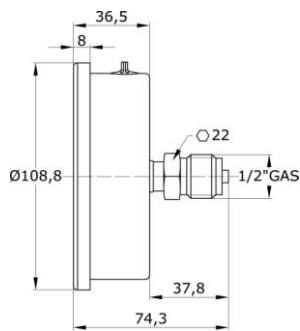
Direct mounting ("D" type)



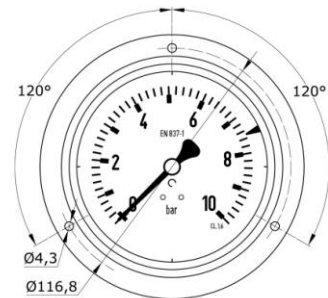
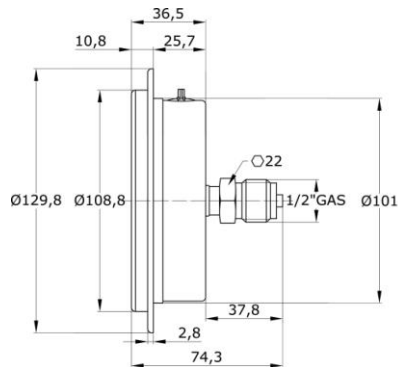
Back flange for wall mounting ("A" type)



Back mounting ("F" type)



Front flange for flush mounting ("B" type)



## Weight in kg

Type	MBA 100 "D"	MBA 100 "A"	MBA 100 "F"	MBA 100 "J"	MBA 100 "B"
Weight	0,593	0,641	0,550	----	0,598