



GOST

Special Features

- Fixed dead band (optional)
- Weatherproof to IP66
- Sleek & reliable
- Field adjustable
- High repeatability

Application

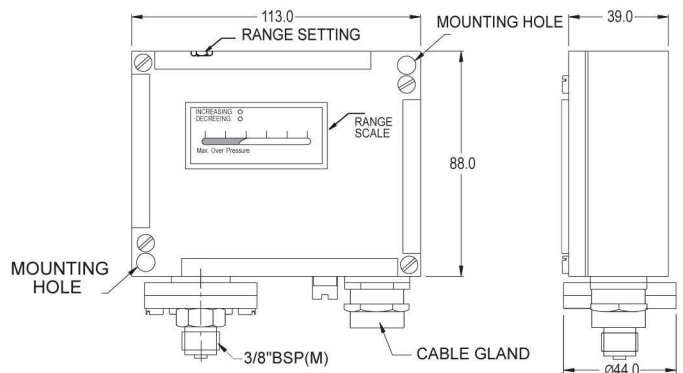
- Railways
- Compressors & boilers
- Water treatment
- Fire fighting systems
- Lubrication industries

Specifications

Standard Version

Repeatability	: ± 1% F. S.
Accuracy	: ± 3.0% F. S.
Range	: Refer "how to order"
Mounting	: Bottom / Panel
Process connection	: 3/8" BSP (M)
Enclosure protection	: W/P to IP 66
Enclosure material	: Pressure die cast aluminum
Maximum process temperature	: 150 °C
Ambient temperature	: -10 to 60 °C
Switch	: 1 SPDT (adjustable)
Switch rating	: 15 A, 250 VAC & 0.4 A, 110 VDC
Sensing element	: Diaphragm, AISI 316L SS
Other wetted parts	: AISI 304 SS
Process medium	: Air, oil & water
Electrical connection	: PG 13.5 mm cable gland

Dimensional Details



Notes : • Drawings are not to scale. • All dimensions are in mm.

How To Order

Basic model

Range

Ordering code	Model no.	Range (bar)	Differential (bar)
VA	CNI - VAC	-1 to 0	0.1 to 0.50
WC	CNI - WC	0 to 300 cmWC	10 to 50 cmWC
1	CNI - 1	0.1 to 1.1	0.08 to 0.20
3	CNI - 3	0.4 to 4	0.08 to 0.30
6	CNI - 6	0.6 to 6	0.25 to 1.5
10	CNI - 10	1 to 10	0.3 to 1.3
16	CNI - 16	1 to 16	1 to 5
30	CNI - 30	2 to 32	1 to 5
40	CNI - 40	4 to 40	2 to 6

Calibration

I Increasing **D** Decreasing (not applicable for adj. differential)

Options

PW Calibration certificate	4NM ½" NPT (M) adaptor	SX SS Tag plate	DC Double compression cable gland
1F 1 SPDT switch with fixed dead band	4NF ½" NPT (F) adaptor	WM Wall mounting bracket	
2F 2 SPDT switch with fixed dead band	S6 Wetted parts AISI 316 SS	PM 2" Pipe mounting	SG Oxygen service

Ordering example : CNI . X or XX . X . XX or XXX

Note : Specifications and dimensions given in this product catalogue represents the state of engineering at the time of printing. Modifications may take place and materials specified may be replaced by others without prior notice.

Example

CNI

X
OR
XX

X

XX
OR
XXX

Note : Other equivalent scales units like kg/cm², kPa, MPa, psi, mmWC etc can be provided on request.