

V-shaped thermometer



These industrial thermometers are based on the dilatation principle. The liquid (generally alcohol) or mercury changes its volume displacing inside a marked prismatic capillary glass when temperature changes. The glass is protected inside a gold coloured anodised aluminium case. Bigger-sized cylindrical cases are available in brass and stainless steel for easier reading. The V-shaped thermometers are suitable for industrial applications, as well as marine and air-conditioning installations. Available ranges from -60°C up to 650°C according to DIN 16181/ DIN 16195.

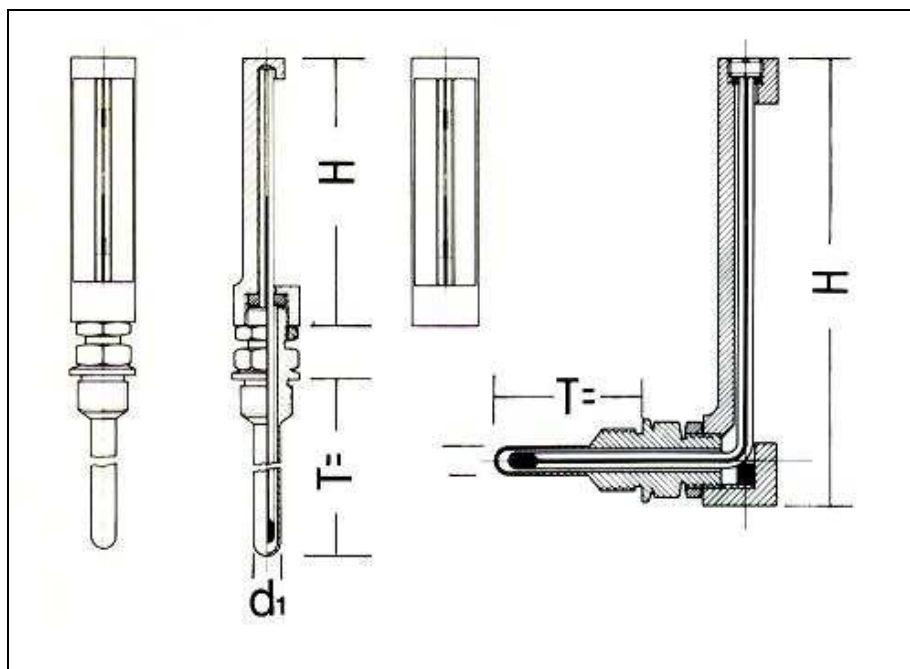
Technical data:

Case:	Gold-coloured anodized aluminium. Case dimensions 110x30, 150x36 or 200x36 mm.
Sensible element:	Engraved capillary glass tube. Liquid indicator blue indicator or Hg (from 200°C onwards).
Stem:	Brass or st. steel Ø 10 mm. See standard lengths in drawing below.
Connection:	Thread 1/4", 1/2" or 3/4" BSP-Male. (others upon request).
Accuracy:	±2,5% value final scale, according to DIN 16195.
Features:	Also available upon request with angular case 90° and 135°.

Ranges in °C

-60+40	-30+50	0...60	0...100	0...160
0...200	0...300	0...400	0...500	0...600

Dimensions:



H	110x30		150x36		200x36	
T	40	50	63	100	160	200