

# ELECTROMAGNETS

Electromagnets are commonly used in industry for holding and handling pieces. They use a DC power supply and are supplied without a transformer or a rectifier.

Maximum working temperature: 60° C.

Ingress Protection: IP 65

**ATTENTION:** When used for lifting, a safety coefficient of 3 must be applied. The weight of the load must be 3 times less than the traction force.

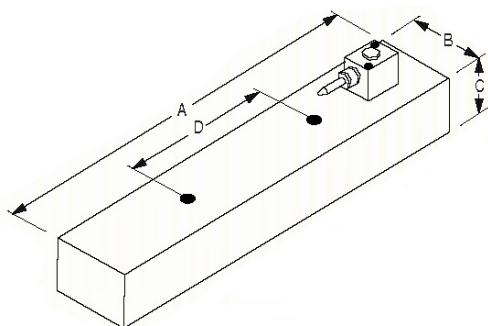
Maximum force achieved under optimum conditions: on an ST-37 steel plate, 30 mm thick with a flat ground surface.



## RECTANGULAR

Tension to determine.

The voltage input is protected using terminals and protective housing with different possibilities for the electric cable outlet.



CODE	A mm	B mm	C mm	FIXING HOLES	D mm	POWER W	TRACTION FORCE	WEIGHT Kg
63.00.302	200	80	50	2 de M-10	100	28	440 daN	6,4
63.00.304	400	80	50	2 de M-10	200	51	1050 daN	12,8
63.00.305	500	80	50	2 de M-10	300	64	1400 daN	16
63.00.404	400	80	80	2 de M-10	200	79	996 daN	20,5
63.00.505	500	100	70	2 de M-12	300	70	1500 daN	28
63.00.508	800	100	70	2 de M-12	500	123	2400 daN	45

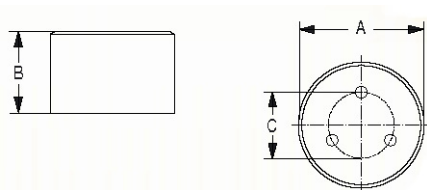
NOTE: Consult for other sizes.

## CIRCULAR

24 V DC SERIES

24 V DC power supply.

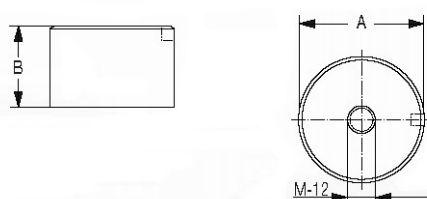
20 cm long connection cable with side outlet.



CODE	øA mm	B mm	FIXING HOLES	øC mm	POWER W	TRACTION FORCE	WEIGHT Kg
63.11.001	36	26	3 x M-4	28	4	8 daN	0,16
63.11.002	46	30	3 x M-5	34	6	16 daN	0,29
63.11.003	56	30	3 x M-5	40	8	31 daN	0,44
63.11.004	66	33	3 x M-5	40	10	48 daN	0,64
63.11.005	96	34	3 x M-6	60	20	120 daN	1,72

12 V DC SERIES

1 m long connection cable with possibility for top or side outlet



CODE	øA mm	B mm	POWER W	TRACTION FORCE	WEIGHT Kg
63.99.002	60	40	0,8	65 daN	0,6
63.99.003	80	50	1,8	200 daN	1,5
63.99.004	100	60	5	360 daN	2,9
63.99.005	120	80	11,5	520 daN	5,4