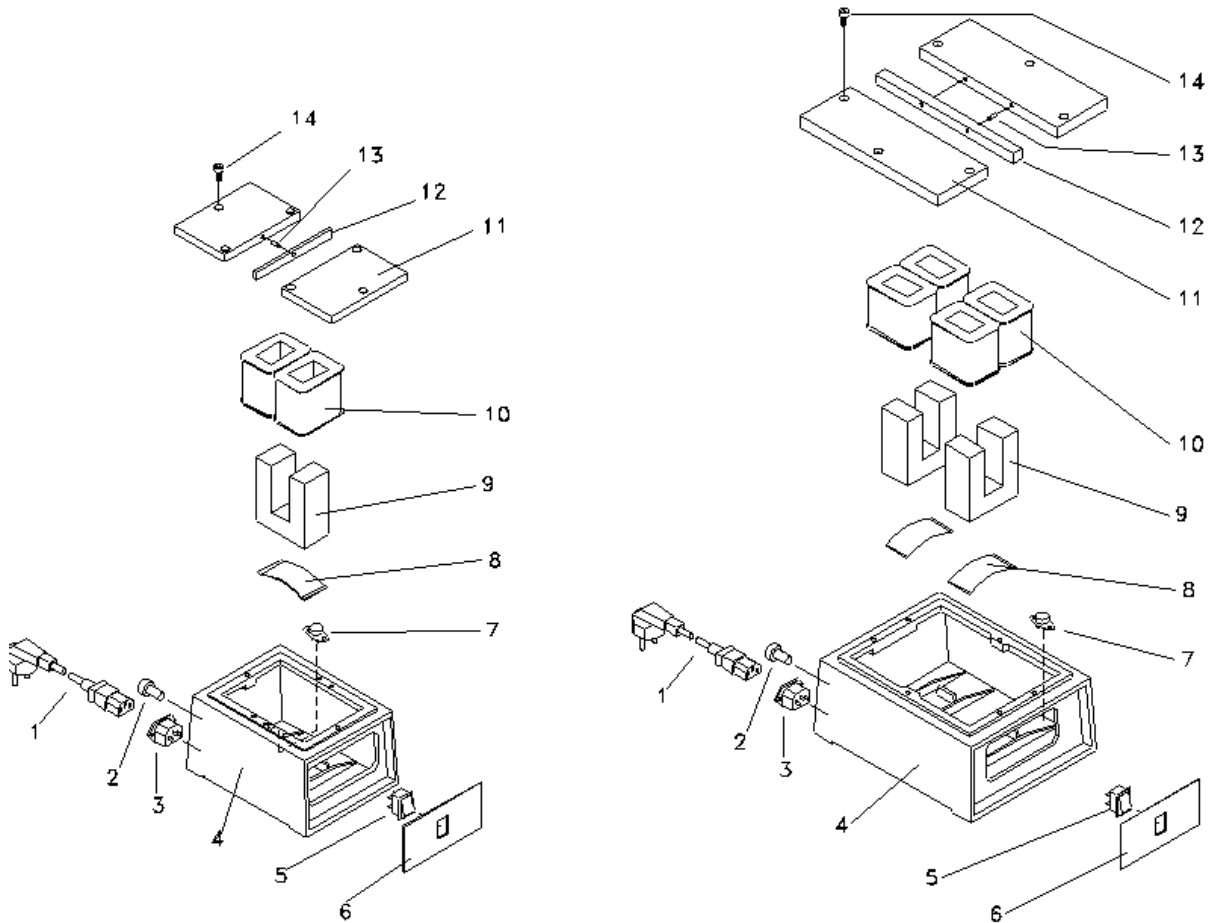


COMPONENTS OF TABLETOP DEMAGNETISERS



70.00.001

70.00.002

Nr	Description	70.00.001		70.00.002	
		Code	Quant.	Code	Quant.
1	Connection cable	ME.70.003	1	ME.70.003	1
2	Fuse	ME.52.023	1	ME.52.024	1
3	Connector base	ME.71.003	1	ME.71.003	1
4	Aluminium housing	CA.71.002	1	CA.71.003	1
5	Switch / Pilot	ME.30.032	1	ME.30.032	1
6	Typeshield	XC.05.002	1	XC.05.002	1
7	Thermostat	ME.39.021	1	ME.39.021	1
8	Spring	MO.00.004	1	MO.00.004	2
9	Nucleus	DS.00.201	1	DS.00.201	2
10	Coil	DS.00.301	2	DS.00.301	4
11	Polar plate	DS.00.001	2	DS.00.002	2
12	Insulator	DS.00.102	1	DS.05.102	1
13	Slotted pin	RB.11.001	2	RB.11.001	2
14	Screws	GC.00.011	4	CG.00.012	6
		CG.52.024	2	CG.52.024	2
		CG.72.005	1	CG.72.005	1