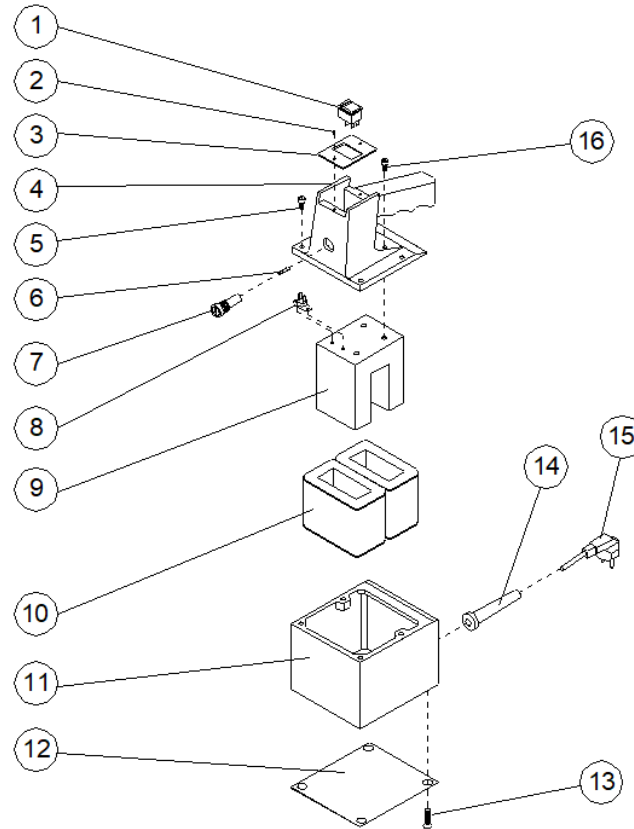


SPARE PARTS PORTABLE DEMAGNETISER



N°	DESCRIPTION	CODE	QUANT.
1	Lighting switch	ME.30.034	1
2	Screw		2
3	Aluminium part	DS.10.402	1
4	Top Part Aluminium Housing		1
5	Screw		4
6	Fuse	ME.52.033	1
7	Fuse holder	ME.50.010	1
8	Thermostat	ME.39.001	1
9	Magnetic Nucleus	DS.10.201	1
10	Coil	DS.10.301	2
11	Aluminium Main Housing	CA.71.001	1
12	Lower Inox. Plate		1
13	Screw		4
14	Cable Protector	ME.90.135	1
15	Cable connexion	ME.70.005	1
16	Screw		2