



# ASTRO CORNER MODULE

COD.OASTRG01

## DESCRIPTION

Corner module

## NOTE

On request only: fire retardant foam padding 

## SPECIFICATIONS

---

### STRUCTURE

Spruce and MDF

### PADDING

Polyurethane foam divided into blocks with different densities and thicknesses.

### LEGS / FRAME / BASE

Tube 20x20x2 chrome or silver painted

### UPHOLSTERY

categories B01-B03-C01-C05-W01-D02-P01 (SEE FABRIC FOLDER)

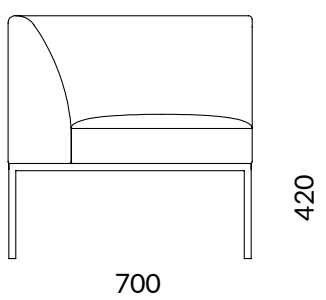
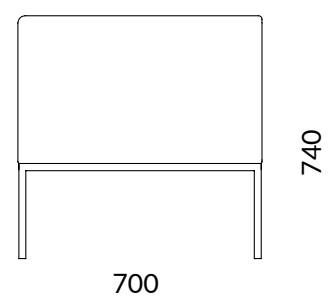
## SIZE

---

article  
L 700 H 740 D 700

seat  
L 500 H 420 D 500

backrest  
H 320



### WEIGHT

Net weight a chair: 15 Kg  
Gross weight a chair: 19 Kg

### PACKAGING

1 x box  
L 730 H 730 D 800

### VOLUME

M3 box: 0,28

COD.OASTRG01

TECHNICAL  
DATASHEET

Dimensions in millimeters