

TECHNICAL SHEET

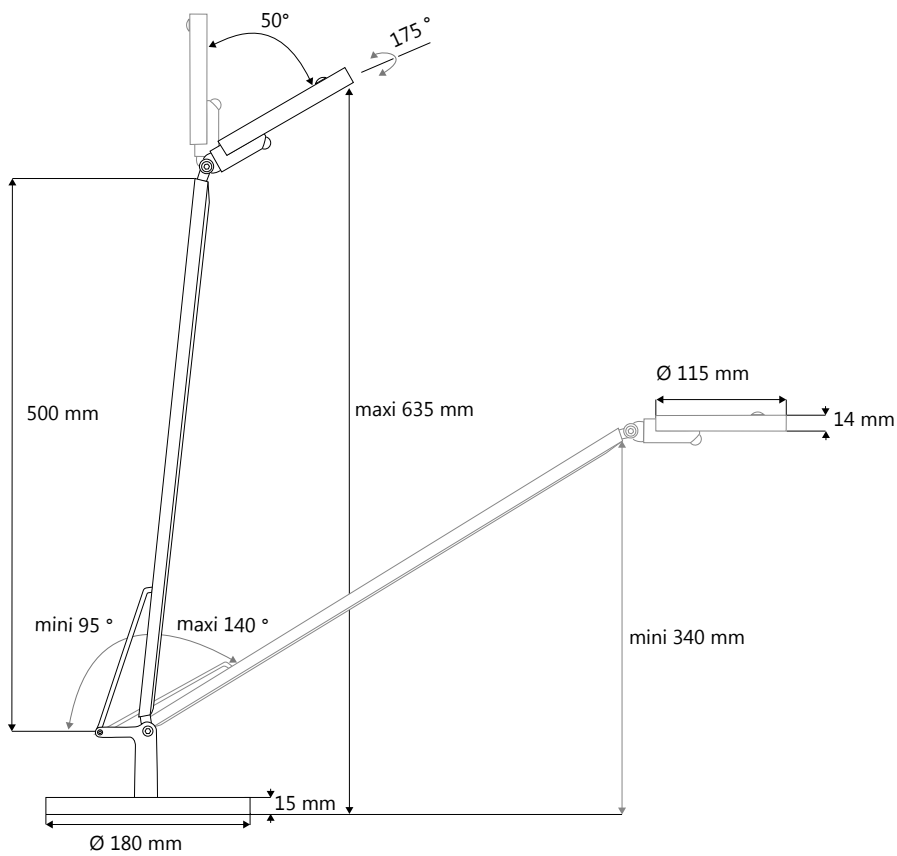
Loola Desk lamp



LOOLA 1

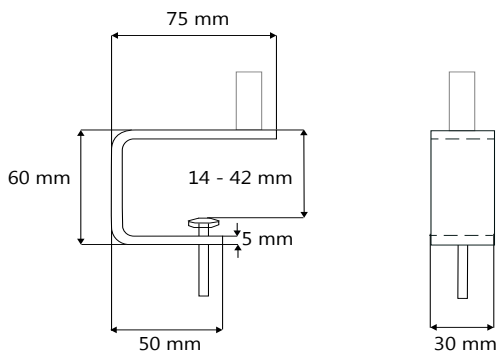
LOOLA 1 with a base

Single arm with 2 articulations. Base, head and arm in epoxy-coated steel.



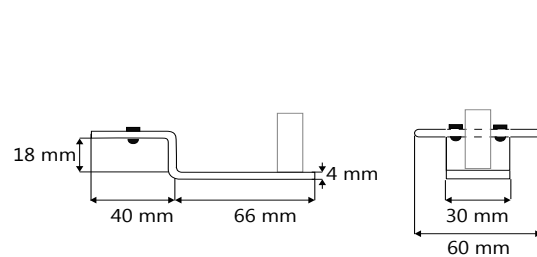
Clamp fixing

Epoxy-coated steel



Adapter for NEW PORT toolbar

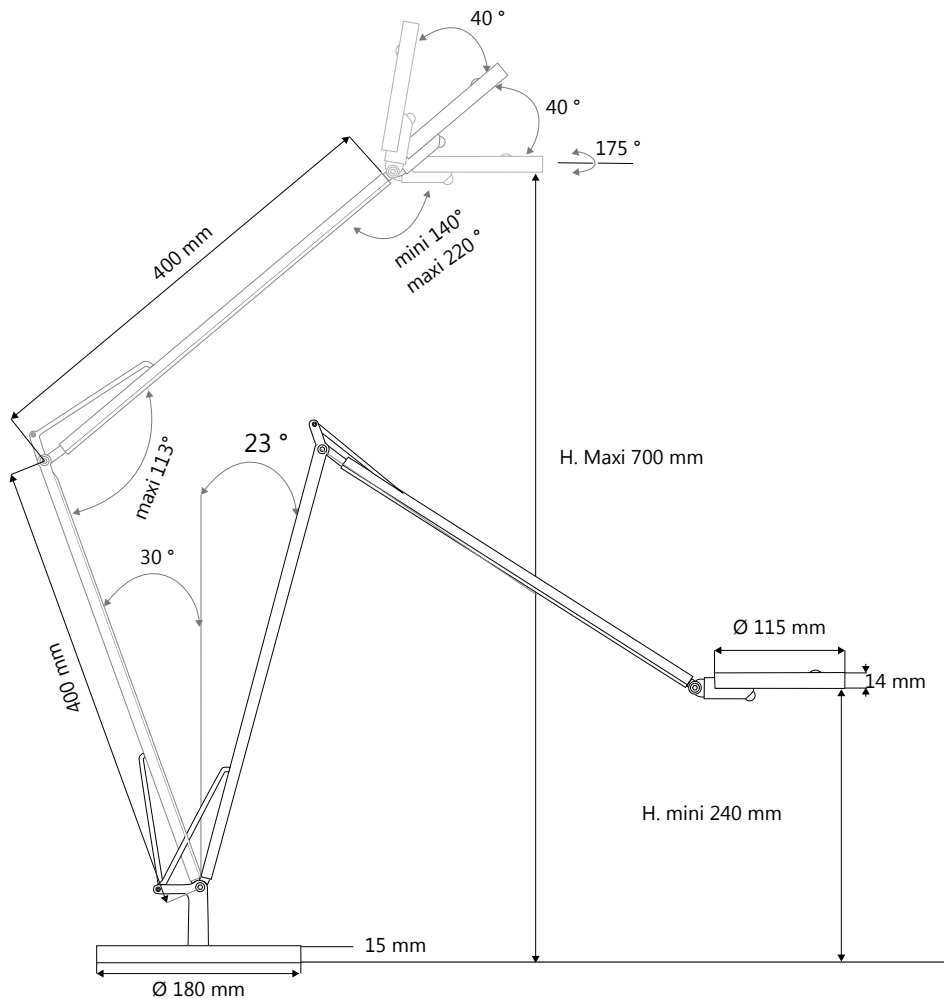
Epoxy-coated steel. Screws and nuts in galvanized steel. Fixing under the NEW PORT toolbar, torx key included.



LOOLA 2

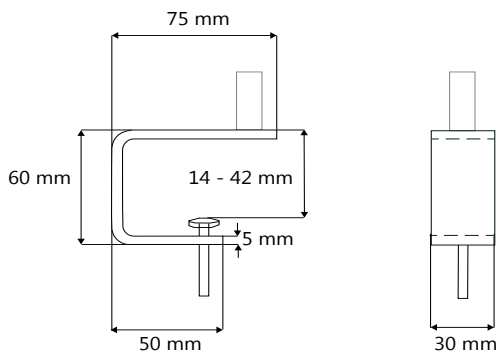
LOOLA 2 with a base

Double arm with 3 articulations. Base, head and arm in epoxy-coated steel.



Clamp fixing

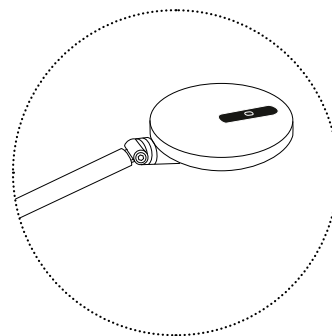
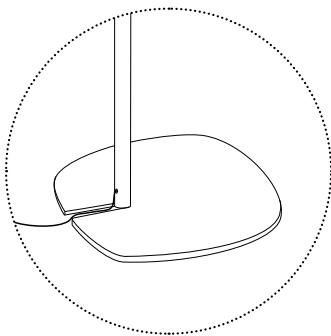
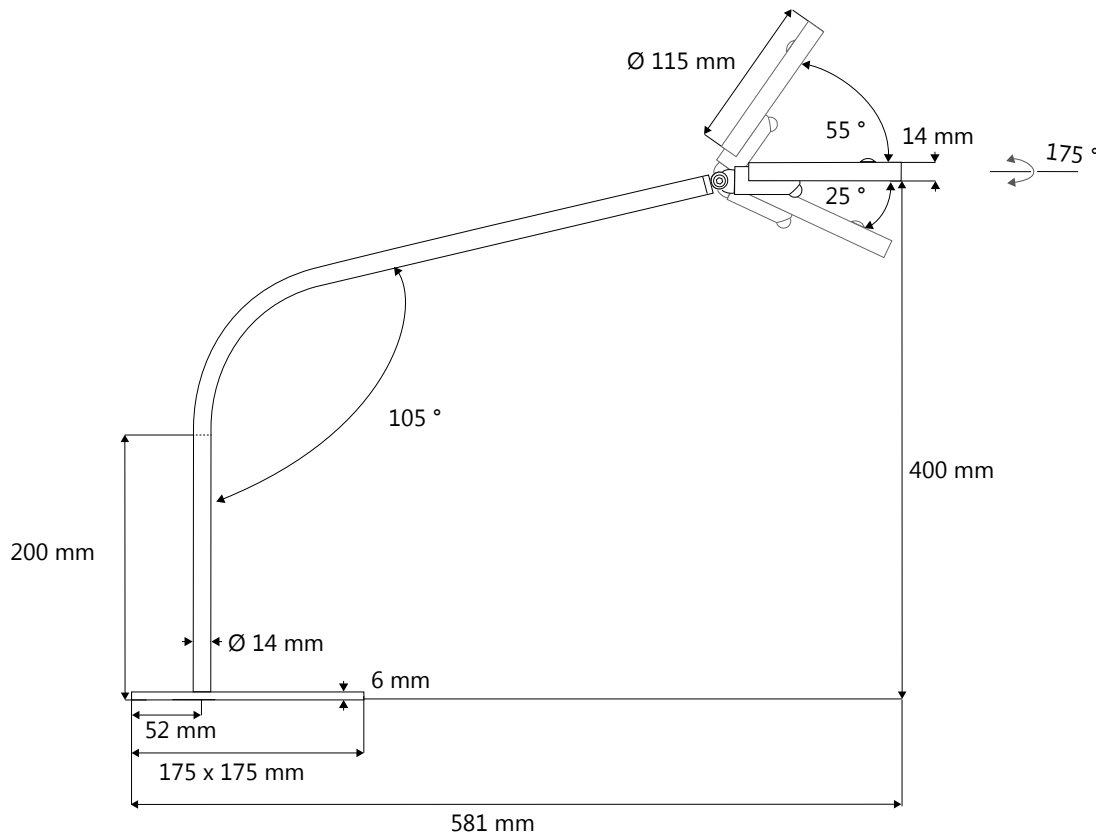
Epoxy-coated steel



LOOLA straight

LOOLA straight with a base

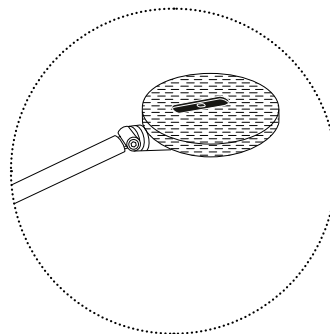
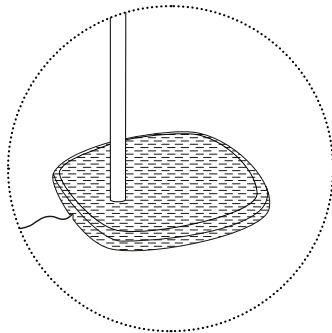
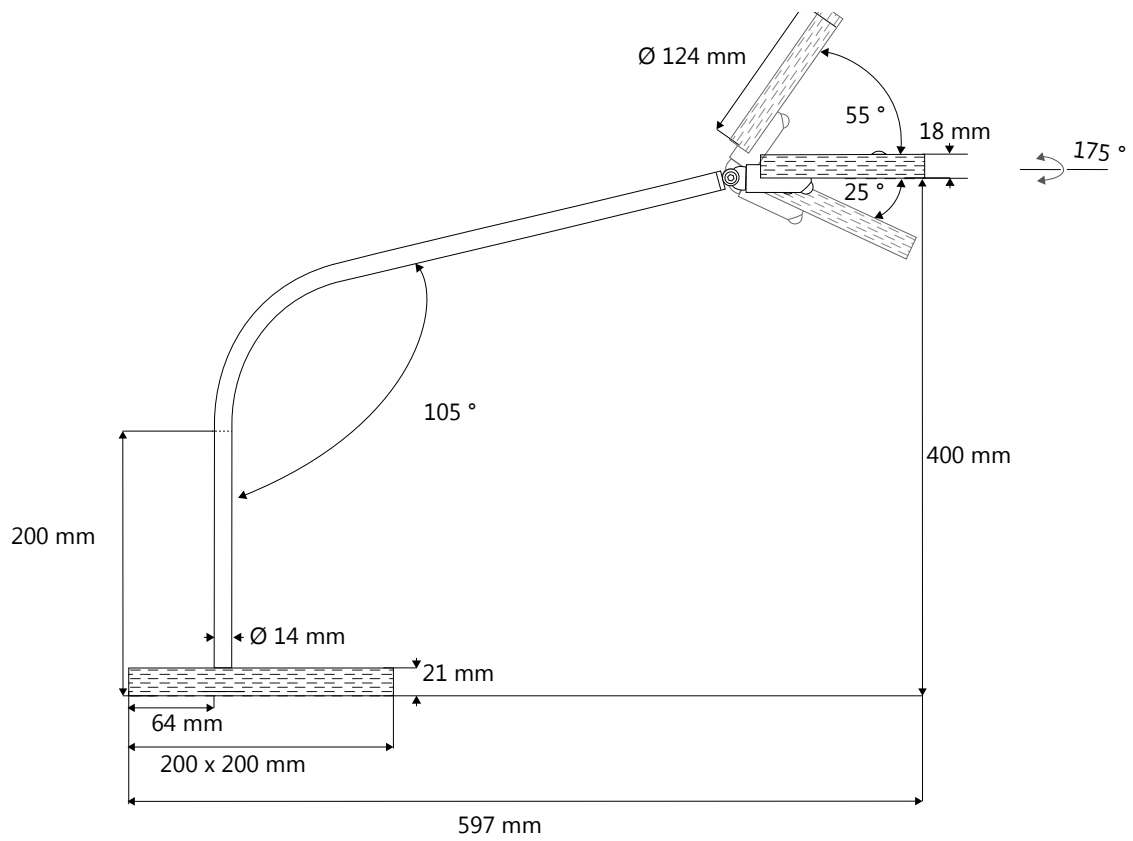
Angled arm, head and base in epoxy-coated steel, anti-slip felt.



LOOLA wood

LOOLA 2 with a base

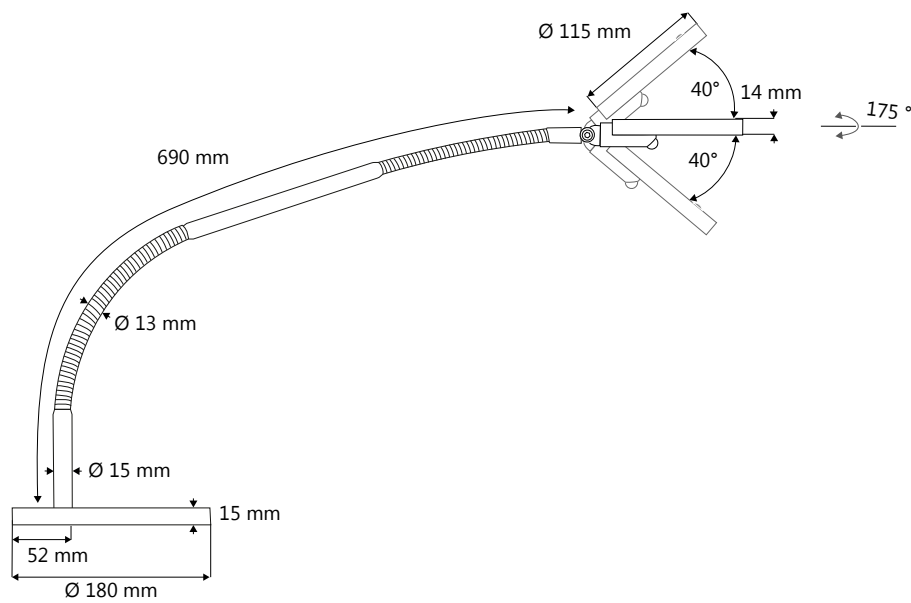
Angled arm, base and head in epoxy-coated steel with a varnished beechwood cover



LOOLA flex

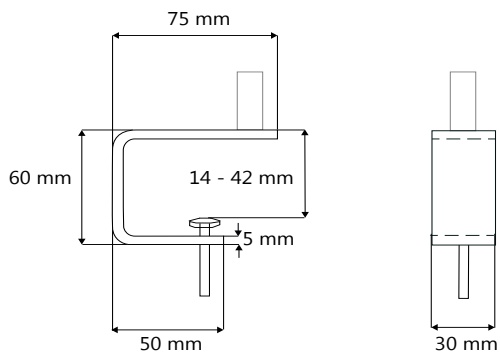
LOOLA flex with a base

Arm with 2 flexible articulations. Tube in epoxy-coated steel, flexible articulations in epoxy-coated brass. Head in epoxy-coated steel. Base in epoxy-coated steel.



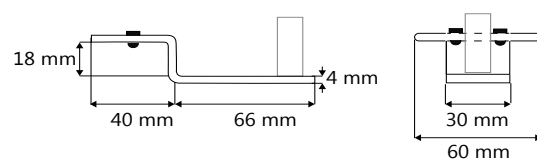
Clamp fixing

Epoxy-coated steel



Adapter for NEW PORT toolbar

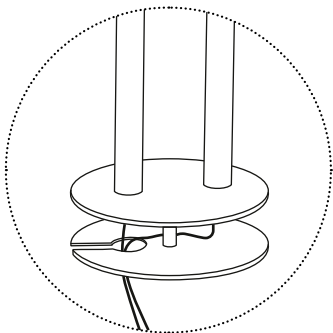
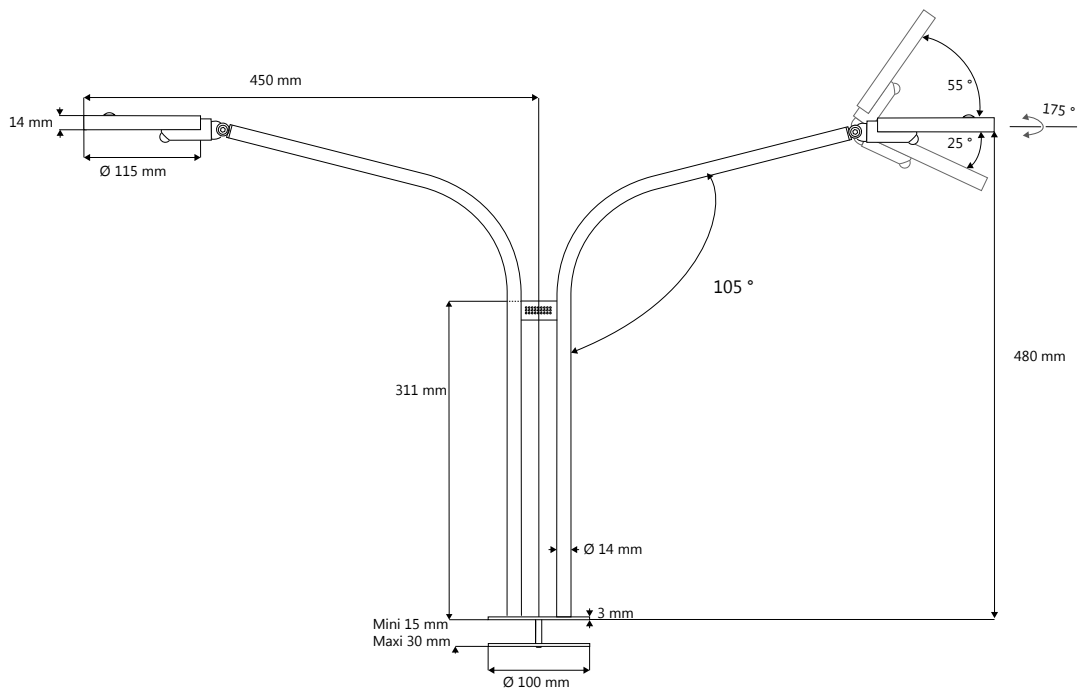
Epoxy-coated steel. Screws and nuts in galvanized steel. Fixing under the NEW PORT toolbar, torx key included.



LOOLA bibliothèque

LOOLA library lamp

Two-head lamp with two angled arms . Epoxy-coating.



Fixing between 2 desks (10 to 30 mm thick) or Through-desk-fixing (rill hole diameter 60 mm).

Cable is routed through the deskplate.

TECHNICAL FACTS

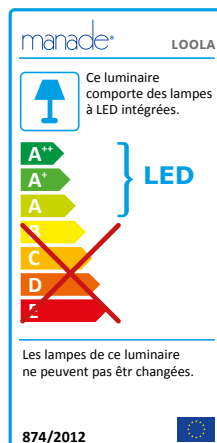
Lamp class III, IP 20

Cable	2 m
Power supply	Plug-mounted driver (can be disconnected) class II 110 / 240 V (24 V DC)
Switch	On/off, switch with dimmer on the head
Light source	LED 8 W with a diffuser in PS (film in lexan)
Sensor	Presence sensor (see details on page 10 and 11)
Voltage	90 LED : 24 V DC
Power used	Maxi: 8,1 W, mini 15%
Light efficiency	Maxi: 450 lumens, mini: 15%
Colour temperature	2700° K (arm white)
CRI	(Ra) 80
Light intensity	Maxi : 1400 lux, mini 15%
Light Diffusion	3 light diffuser lenses for a large, homogeneous and glare-free lighting.



Life time 50 000 hours

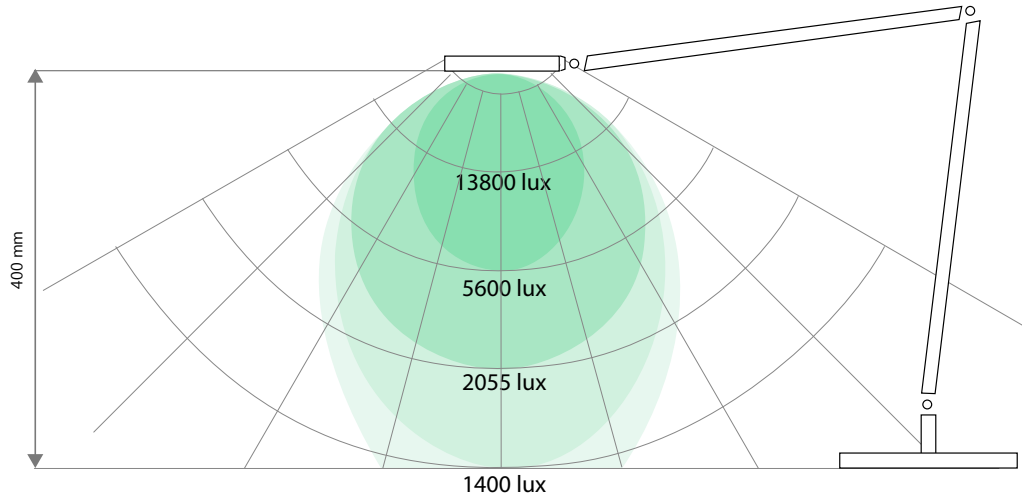
Energy Class



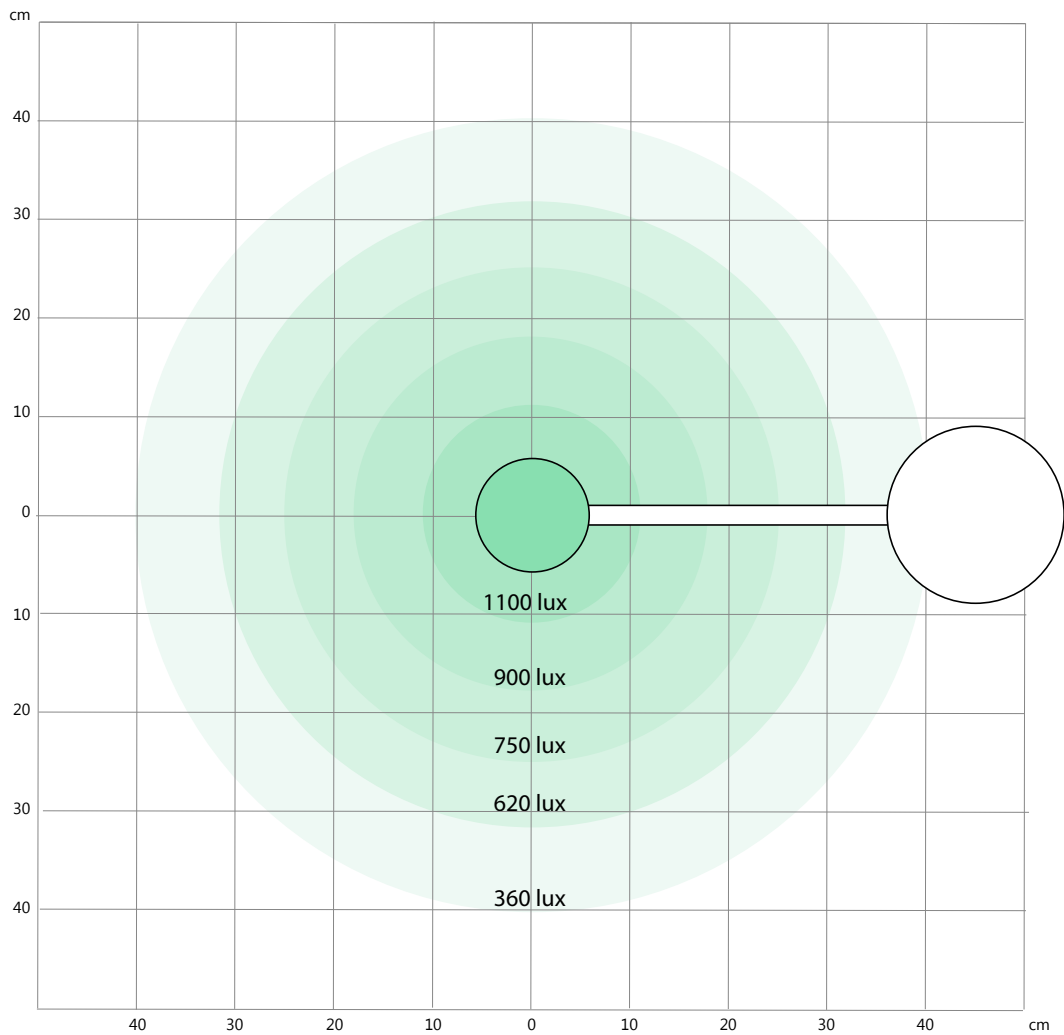
Certification



Light intensity at 40 cm



Light diffusion on the desk

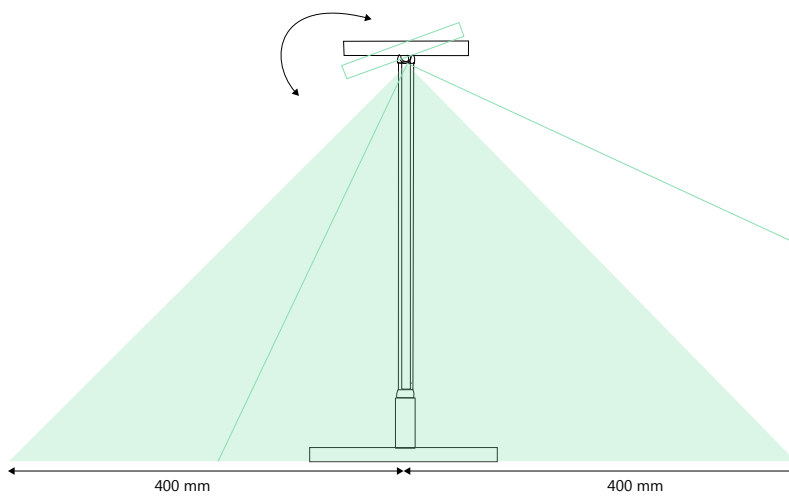
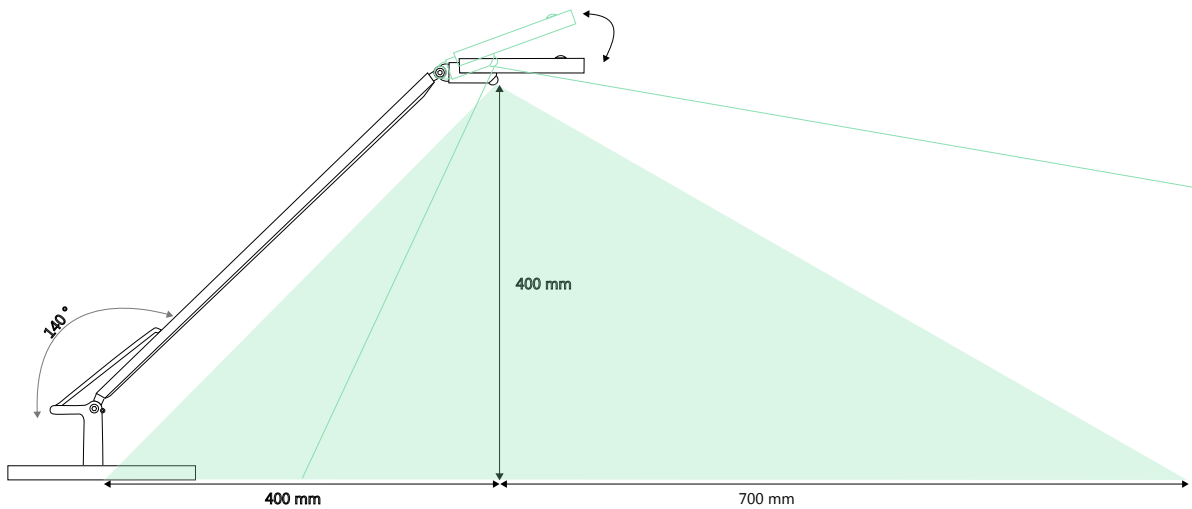


Values in lux measured with an horizontal head position at 400 mm from the desk.
 These values apply for LOOLA, LOOLA, LOOLA 2, LOOLA Straight, LOOLA Wood and LOOLA flex.

Motion detecting zones

The presence sensor lies under the head.

The coloured detection area applies for a lamp with the head in an horizontal position at 400 mm from the desk. The area varies according to the tilt angle of the head (up and down, left and rights).



Operating mode

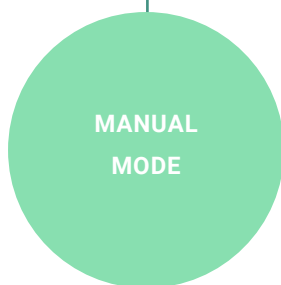
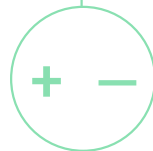
Plug the lamp
Connect the driver



Press the switch
The lamp lights on

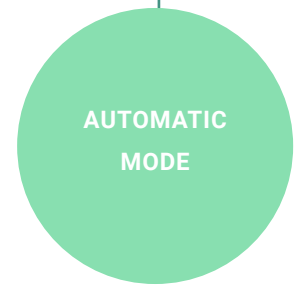


Press the sensitive zones + or -
The light intensity goes up or down



Press the switch
The light gradually turns off (during 10 seconds the presence sensor is inoperative)

Press the switch to light the lamp on again
The light turns on at the last registered intensity level



The sensor does not detect any movement over a 4 minutes time
The light gradually turns off. (during 10 seconds the presence sensor is inoperative)



The sensor detects a movement
Light stays on / turns on again at the last registered intensity level.

To disable the presence sensor, press with a clip tip inside the small 2 mm hole near the presence sensor (under the head).